

Point of Sale • Point of Sale • Point of Sale • Point of Sale • P



POS TECHNOLOGY THAT PROMOTES GREAT SERVICE AND PROFITS – HAPPY HOUR AND ANY OTHER TIME

As a bar owner or manager, you face constant pressures of delivering quality, consistent service, meeting growing customer demands for selection and value and reducing operating costs in an incredibly fast-paced environment. The Sharp UP-X300 Point-of-Sale (POS) helps you address your unique challenges by offering powerful, easy to use features, unmatched flexibility and proven reliability all at a low cost of ownership.

Powerful service features, like guest check tracking, happy hour promotional pricing and repeat round order, help you deliver outstanding service that keeps your customers coming back. Capabilities such as liquor dispensing compatibility and closed-circuit TV interfaces provide stronger controls over inventory stock and cash, enabling you to reduce key operating costs and loss. The Sharp system is very flexible, with highly configurable menus and screen layouts so it adapts to your way of doing business. With Sharp's proven POS reliability, there are less service interruptions in your business and redundant backup data to protect your valuable information.

Delivered and supported by our authorized dealers, these exceptional features are standard components of an integrated software and hardware package from Sharp. The brand you know and trust to deliver the best in POS technology.

Features & Benefits:

Easily Customize Solutions:

- Pre-programmed promotions support happy hour and promotional pricing
- Repeat round offers one-touch reorders of previous customer orders
- Liquor dispensing, compatible with Berg Liquor systems, offers integrated control of liquor stocks

Improve Customer Service:

- Enhanced graphical user interface and bright 12.1-inch LCD touch screen offer exceptional ease of use
- Lead-through order entry speeds service and reduces errors
- "Drag-and-drop" check and item splitting speed bill settlement
- Highly configurable screen layouts adapt up to six POS functions on a single screen
- Guest check tracking enables quick and accurate guest transfer from bar to table

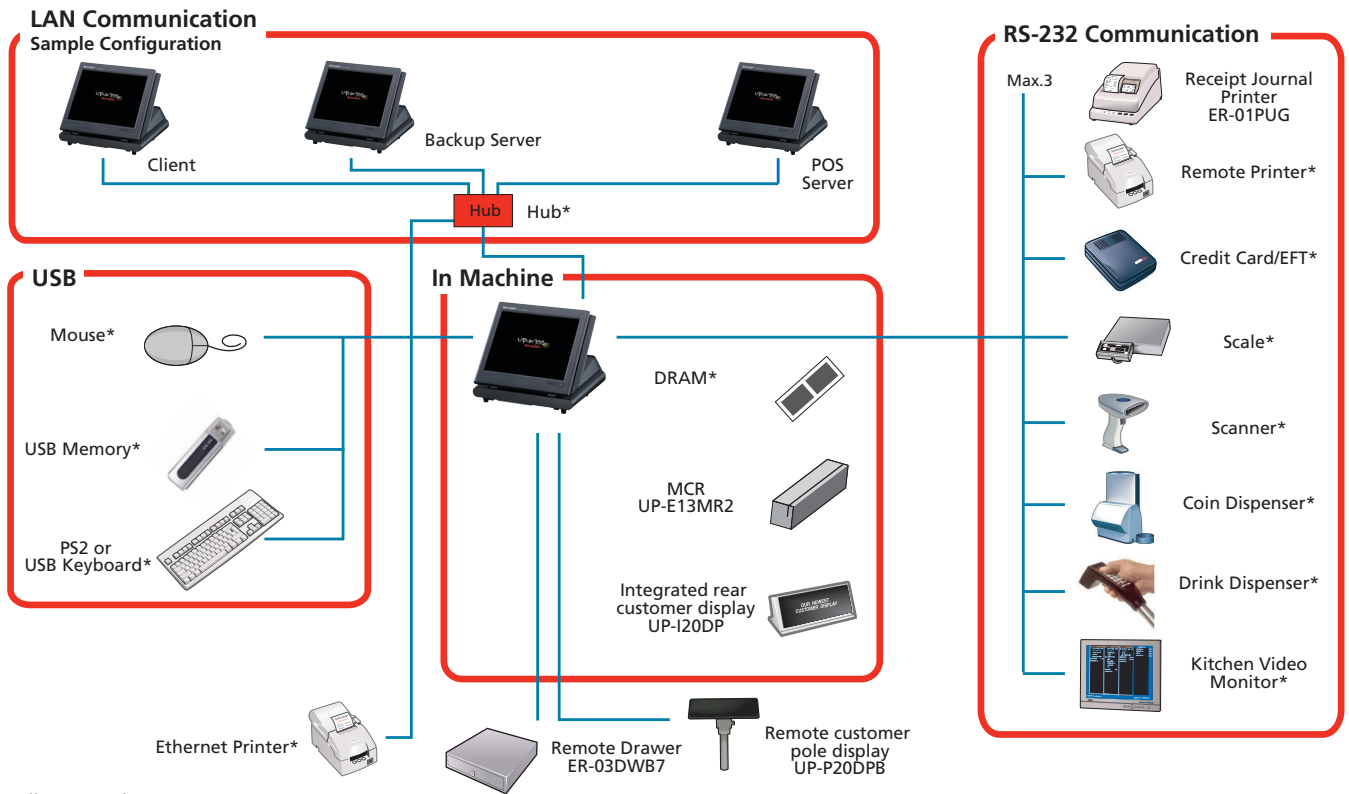
Better Manage Operations:

- Interface to CCTV to identify and prevent employee cash theft
- Inventory, cash and employee management improves control of key operational costs
- Redundant backup data files help preserve valuable information
- Supported peripherals include remove printer, kitchen video displays, scanners, scales, coin dispensers, cash drawers and more.

UP-X300

Hospitality POS Solution

CONFIGURATION



*Locally Procured

OPTIONAL ACCESSORIES

ER-01PUG	2-station thermal printer
UP-I20DP	Integrated 2-line 20-character customer display
UP-P20DPB	2-line 20-character remote customer pole display
UP-E13MR2	Magnetic stripe reader
ER-03DWB7	7B/5C Cash drawer
ER-75CC3	Coin case ER-03DWB7

For further details about additional options not listed below, contact your Sharp dealer. Note: You cannot use the UP-I20DP and the UP-P20DPB simultaneously.

TERMINAL DIMENSIONS

Dimensions (W x D x H)	12.5" x 12.2" x 11.2"
Weight	12.6 lbs.

CASH DRAWER DIMENSIONS

Dimensions (W x D x H)	17.5" x 18.1" x 4.09"
Weight	19.0 lbs.

SPECIFICATIONS

Operator Display	12.1-inch TFT color LCD (XGA) with backlight
Keyboard	Analog touch screen and optional external support
Resolution	1024 x 768 dots
Drawer Ports	2 -drawer support (optional)
CPU	VIA Eden ESP 7000
CompactFlash Memory	128 MB
DRAM Memory	128 MB standard, 512 MB max.
Ethernet LAN	TCP/IP 10Base-T/100Base-TX
I/O Ports /External Bus	(3) RS-232 x 3 (1) VGA (1) Customer Display (2) USB 2.0 x 2 (2) Drawer (1) PS2
Recommended System Configuration	Up to 6 terminals
Power Source	43 W (operating)
Power Consumption	120V AC ±10% AC, 60Hz

SHARP®

SHARP ELECTRONICS CORPORATION
Information Systems Group / POSD
Sharp Plaza, Mahwah, N.J. 07430-1163
1-800-BE-SHARP
www.sharpusa.com/pos

Design and specifications are subject to change without notice.

© 2005 Sharp Electronics Corporation. Sharp is a registered trademark of Sharp Corporation. Windows® is a registered trademark of Microsoft Corporation in the United States and other countries. All other trademarks are the property of their respective owners.